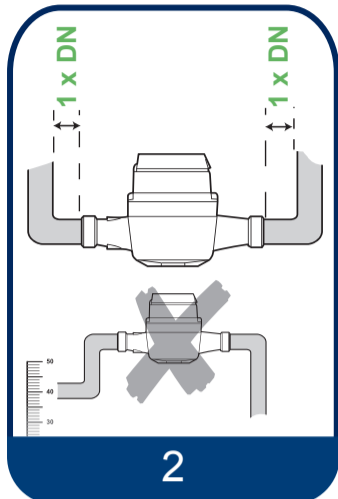
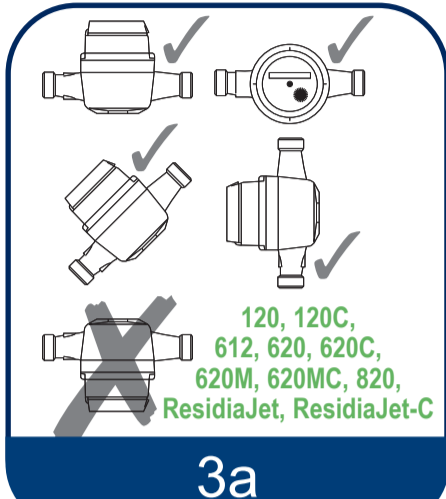


1

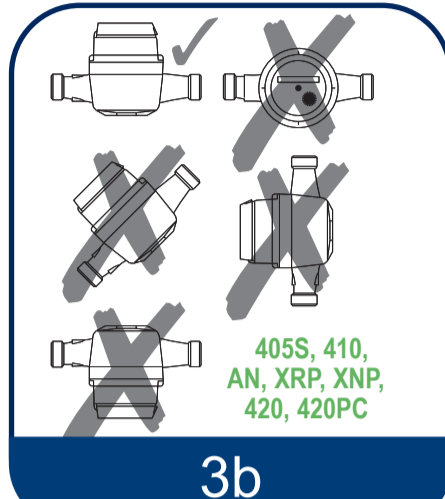


2



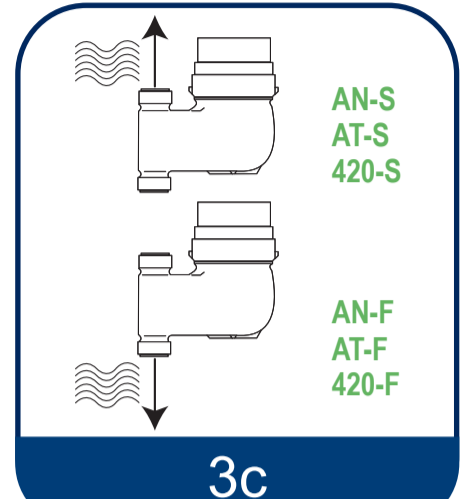
3a

120, 120C,
612, 620, 620C,
620M, 620MC, 820,
ResidiaJet, ResidiaJet-C



3b

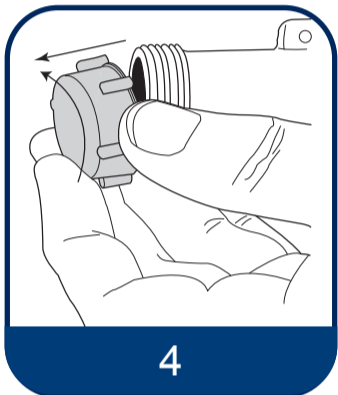
405S, 410,
AN, XRP, XNP,
420, 420PC



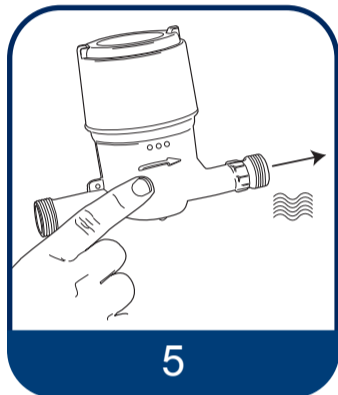
3c

AN-S
AT-S
420-S

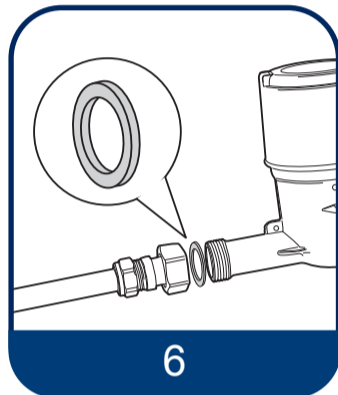
AN-F
AT-F
420-F



4



5



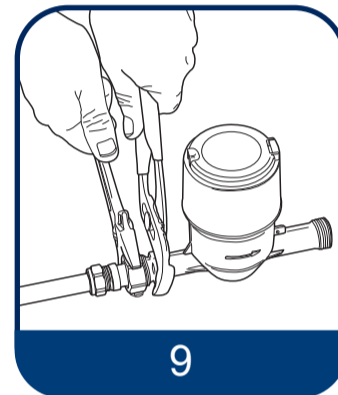
6



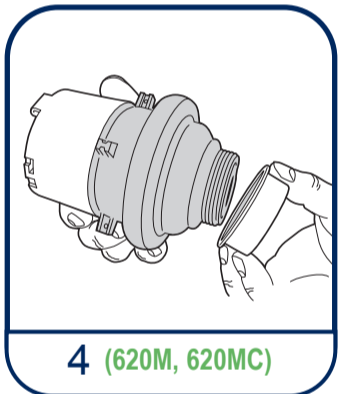
7



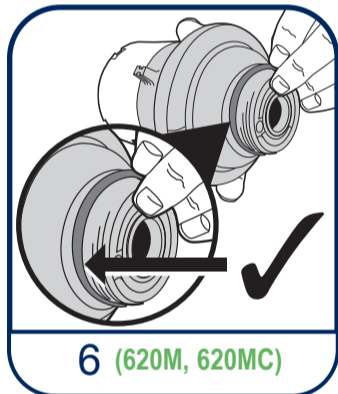
8



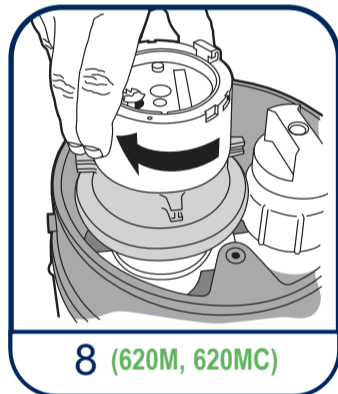
9



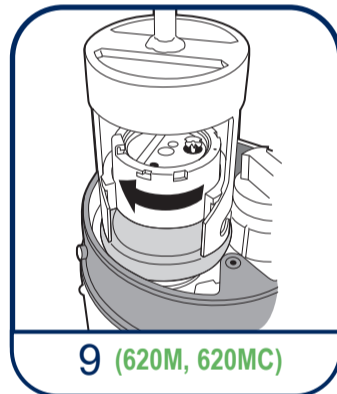
4 (620M, 620MC)



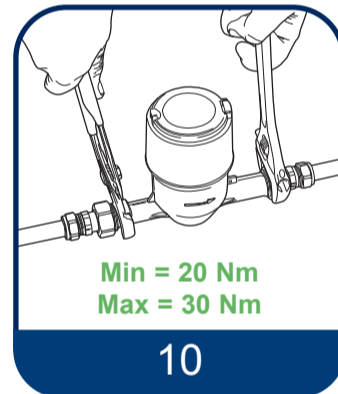
6 (620M, 620MC)



8 (620M, 620MC)

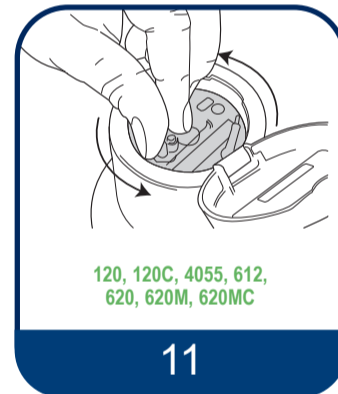


9 (620M, 620MC)



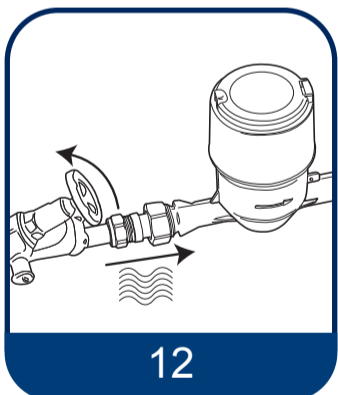
10

Min = 20 Nm
Max = 30 Nm

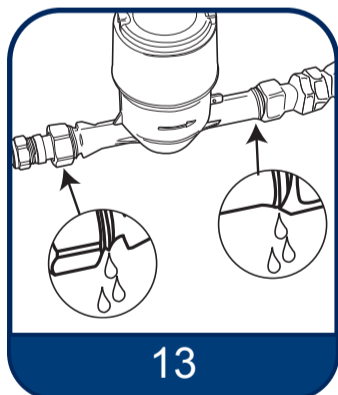


11

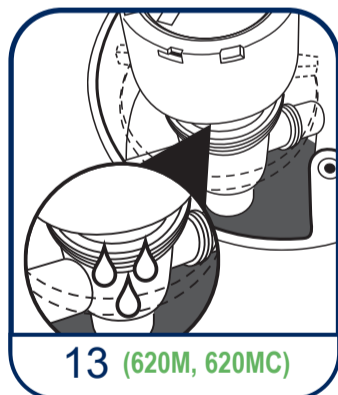
120, 120C, 405S, 612,
620, 620M, 620MC



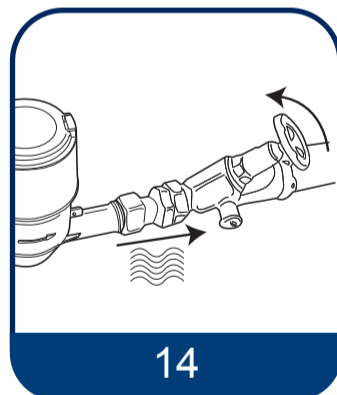
12



13



13 (620M, 620MC)



14



15

