



AOXIANG
ELECTRIC INTELLIGENT ACTUATOR
ELECTRIC VALVES



AOX Electric Actuator Series

QUICK OPENING SERIES

OPTION SPECIFICATION

No.	Option scheme	Remark
1	Heater	Except AOX-003
2	Water-proof actuator (IP68, 10M, 250HR)	AOX series
3	Potentiometer unit (1K-10K)	Except AOX-003
4	Proportion control unit (control signal 4-20mA DC/1-5V/1-10V)	Except AOX-003
5	Local control units (local control open/stop/close optional switch, local/remote switch)	Except AOX-003
6	Travel 120°, 180°, 270°	AOX series
7	Direct current motor (24VDC)	Except AOX-003
8	Electric current position sensor (output 4-20mA DC)	Except AOX-003
9	Self-reset when power failure	AOX series
10	Quick opening (2.8S, 5S, 10S, 15S)	AOX series



AOXIANG
ELECTRIC INTELLIGENT ACTUATOR
ELECTRIC VALVES



ZHEJIANG AOXIANG AUTO-CONTROL TECHNOLOGY CO.,LTD

Add: No. 2608 Development Zone Road, Economic Development Zone,
Ruian Zhejiang China 325200

Tel: +86-577-65151268

Email: zjaox06@zjaox.com

Http://www.zjaox.com

Http://www.aoxelectricactuator.com

AOX Electric Actuator
Patented products,
Counterfeiting not allowed

SUMMARY



"AOX" series electric actuator is used for controlling 0°~270° rotation valves and other similar products, such as butterfly valve, ball valve, damper, flapper valve, cock valve etc. It widely applies to petroleum, chemical, water treatment, shipping, paper making, power plant, heating, light industry and other industries. Driven by 380V/220V/110VAC or 24V/110VDC power, inputs 4-20mA or 0-10VDC control signal, moves valve to the right position, and achieves to automatic control, the maximum output torque is 6000N.M

PERFORMANCE PARAMETER

Model	Max output torque(N·M)	Operating time 90°(S)	Drive shaft(mm)				Power (W)	Rated current(A) 220VAC/1ph	Weight (kg)
			Square	Deep	Round	Deep			
AOX-003	30	20	9×9 11×11	13.5 15.5	Φ12.6	26	8	0.15	2.1
AOX-005	50	30	11×11 14×14	15.5 18	Φ12.6	26	10	0.25	3.6
AOX-008	80	30	11×11 14×14	15.5 18	Φ15.78	26	10	0.25	3.6
AOX-010	100	30	14×14 17×17	18 22.5	Φ15.78 Φ18.95	28	15	0.35	4.6
AOX-015	150	30	14×14 17×17	18 22.5	Φ18.95	28	15	0.37	4.6
AOX-020	200	30	22×22	26	Φ22.13	45	45	0.3	13
AOX-030	300	30	22×22	26	Φ28.48	45	45	0.31	13.4
AOX-040	400	30	22×22	26	Φ28.48	45	60	0.33	13.8
AOX-060	600	30	27×27	32.5	Φ31.65	45	60	0.33	14
AOX-080	800	40	27×27	32.5	Φ31.65	45	90	0.47	14.3
AOX-100	1000	40	27×27	32.5	Φ31.65	45	90	0.47	14.5
AOX-160	1600	60	MaxΦ45	Deep 65			90	0.85	68
AOX-200	2000	60	MaxΦ45	Deep 65			90	0.85	68
AOX-300	3000	120	MaxΦ45	Deep 65			90	0.85	68
AOX-400	4000	200	MaxΦ45	Deep 65			90	0.85	68
AOX-500	5000	200	MaxΦ45	Deep 65			90	0.85	68
AOX-600	6000	200	MaxΦ45	Deep 65			90	0.85	68

STANDARD TECHNICAL PARAMETER

Shell	Aluminium alloy Shell, Enclosure:IP67,IP68 is optional
Power	Standard:220VAC/1ph Optional:110VAC/1ph, 380V/440V/3ph,50/60HZ, ±10% 24VDC/110VDC/220VDC
Controlling power	110/220V AC 1Phase,50/60 Hz, ±10%
Motor	Squirrel-cage Asynchronous Motor
Limit switch	2×Open/ Close,SPDT,250V AC 10A
Auxiliary limit switch	2×Open/ Close,SPDT,250V AC 10A
Travel	90° ~270°±10°(Please specify in advance if over 90°)
Fail safe/ Operating temperature	Internal-placed thermal protection, On 120°C ±5°C/Off 97°C ± 5°C
Indicator	Continuous situation indication
Manul operation	Mechanical handle (Handwheel is optional)
Self-locking device	Self-locking by worm and worm gear
Mechanical Limit	2 x external adjustable stopper
Space heater	30W (110/220V AC) Anti-condensation
Conduit entries	2 Pieces M18
Ambient temperature	-20°C~+70°C
Lubrication	Grease moly(EP tyte)
Material	Steel, Aluminium alloy, Aluminium bronze, Polycarbonate
Ambient humidity	Max 90% RH
Anti-vibration	X Y Z 10g,0.2~34 Hz,30 minutes
External coating	Dry powder, Epoxy polyester



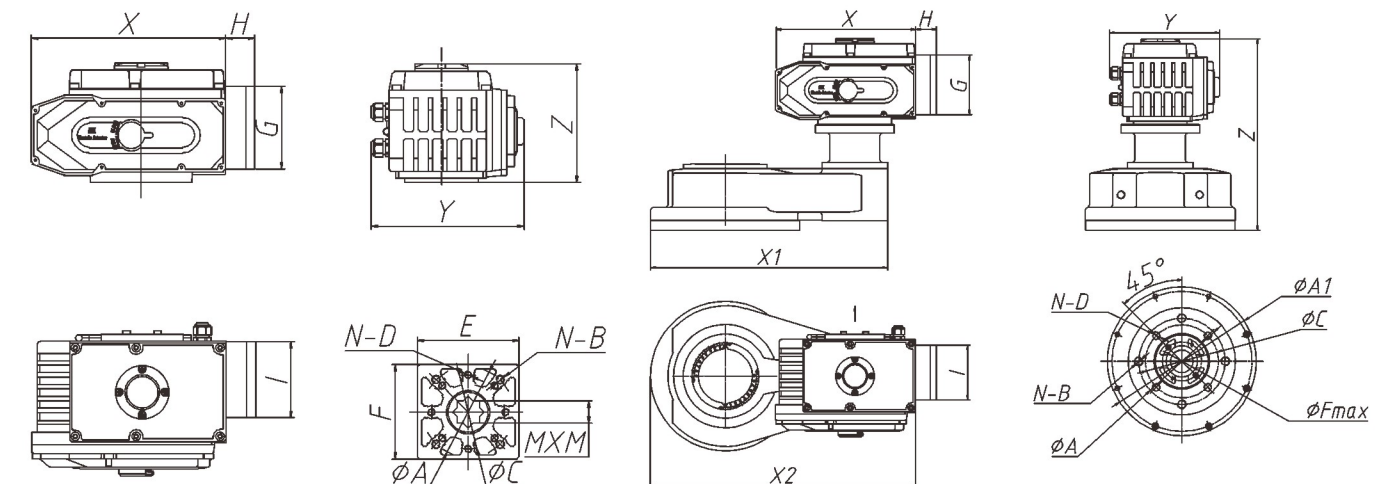
AOX Electric Actuator Series

QUICK OPENING SERIES

GENERAL DRAWING

AOX-003~100

AOX-160~600



Model	Unit: mm															
	X	Y	Z	ΦA	N-B	ΦC	N-D	ΦA1	E	F	G	H	I	X1	X2	M×M
AOX-003	123	123	113	Φ50	4-M6	Φ42	8-M5	—	50	50	—	—	—	—	—	11×11
AOX-005	160	146	121	Φ70	4-M8	Φ50	4-M6	—	66	66	114	40	100	—	—	14×14
AOX-008	160	146	121	Φ70	4-M8	Φ50	4-M6	—	66	66	114	40	100	—	—	14×14
AOX-010	189	163	129	Φ70	4-M8	Φ50	4-M6	—	100	90	114	40	100	—	—	17×17
AOX-015	189	163	129	Φ70	4-M8	Φ50	4-M6	—	100	90	114	40	100	—	—	17×17
AOX-020	268	212	164	Φ125	4-M12	Φ102	8-M10	—	140	130	114	40	100	—	—	22×22
AOX-030	268	212	164	Φ125	4-M12	Φ102	8-M10	—	140	130	114	40	100	—	—	22×22
AOX-040	268	212	164	Φ125	4-M12	Φ102	8-M10	—	140	130	114	40	100	—	—	22×22
AOX-060	268	212	164	Φ125	4-M12	Φ102	8-M10	—	140	130	114	40	100	—	—	27×27
AOX-080	268	212	164	Φ125	4-M12	Φ102	8-M10	—	140	130	114	40	100	—	—	27×27
AOX-100	268	212	164	Φ125	4-M12	Φ102	8-M10	—	140	130	114	40	100	—	—	27×27
AOX-160	268	212	367.5	Φ165	4-M18	Φ140	4-M16	Φ285	—	Φ45	114	40	100	454	508	—
AOX-200	268	212	367.5	Φ165	4-M18	Φ140	4-M16	Φ285	—	Φ45	114	40	100	454	508	—
AOX-300	268	212	367.5	Φ165	4-M18	Φ140	4-M16	Φ285	—	Φ45	114	40	100	454	508	—
AOX-400	268	212	367.5	Φ165	4-M18	Φ140	4-M16	Φ285	—	Φ45	114	40	100	454	508	—
AOX-500	268	212	367.5	Φ165	4-M18	Φ140	4-M16	Φ285	—	Φ45	114	40	100	454	508	—
AOX-600	268	212	367.5	Φ165	4-M18	Φ140	4-M16	Φ285	—	Φ45	114	40	100	454	508	—