

Internet_Variants

Dimension range	PN	Temperature range	Material
DN 15-100	10/100	-29°C to + 180°C	Stainless steel

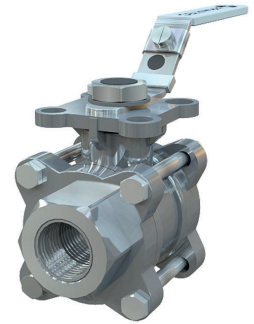
Range of Application

Used for shut off of most fluids and gases that are common within the process industry.

Program text

PSB.1 Ball Valves

Ball valve in Stainless Steel AT 3534S..., with full bore, weld ends and steel lever.
Ball valve in Stainless Steel AT 3533S ..., with full bore, internal thread and steel lever.



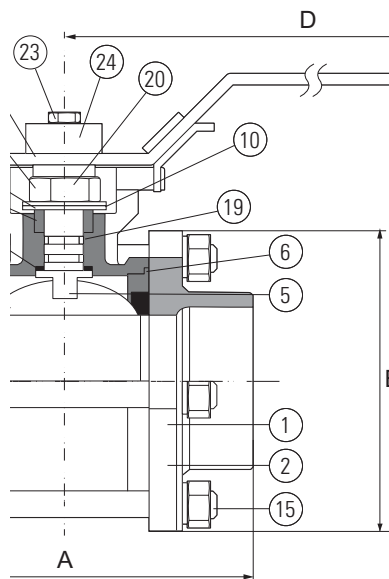
Quality Assurance

CE-marking

The valves meet the demands set by PED, AFS 2016:1, the directive for pressurized equipment, acc. to category III, fluidgroup 1 and 2. Dimensions up to DN 25 satisfies § 8 of the PED, AFS 2016:1.

ATEX zon 1 and 21 (ATEX 94/9 II GDc IIA & IIB)

Design EN12516-1, tested according to EN12266-1, connection according to DIN3239 part 1 and 2, installation measurements according to DIN3202M3/S13, bolts according to ISO33506.



Material specification

	Components	AT3533/3534
1	Body	Stainless steel 1.4408
2	End piece	Stainless steel 1.4408
3	Seat gasket	PTFE
4	Ball	Stainless steel CF8M
5	Stem	Stainless steel 1.4408
6	Body gasket	PTFE
7	Stem gasket	PTFE
8	Gasket	PTFE
9	Disc	SS304
10	Chevron Ring	SS304
11	Lever	SS304
12	Gasket box screw-nuts	SS304
13	Notice	SS304
14	Lever guard	Plastic
15	Bolts	SS304
16	Spring plate	SS304
17	Screw-nuts	SS304
18	Centering ring	SS304
19	O-Ring	Viton
20	Latch	SS304
21	Antistatic unit	SS316
22	Spring	SS316
23	Screw-nuts	SS304
24	Separating disc	SS304

Rätten till ändringar utan föregående meddelande förbehålls.
 Armatec ansvarar inte för eventuella tryckfel eller missförstånd.
 Dokumentet får kopieras endast i sin helhet.

Dimension and weight

DN	15	20	25	32	40	50	65	80	100
B	75	90	100	110	125	150	190	220	270
B*	75	80	90	110	120	140	185	205	240
C	70,9	73,4	84,1	89,3	109,5	118,9	155	165	180
H	42,3	44,8	54	59,2	73,5	82,9	107	117,3	132,3
Stem size (DIN 45°)	9	9	11	11	14	14	17	17	17
ISO flange	F03/04	F03/04	F04/05	F04/05	F05/07	F05/07	F07/10	F07/10	F07/10
Weight	0,6	0,8	1,3	1,9	3,0	4,5	9,8	15	24,5

*3533

Measurements in mm. weight in kg

Function and Design

Quality valve, casted in stainless steel with firesafe design.

Three-piece ball valve.

No disassembling or changing of gaskets is necessary when the valve is welded in.

The design with blow-out safe stem prevents the stem to blow out at pressure hammer.

Mounting flange according to ISO 5211 for actuators.

No dismantling of valve at service and installation of mounting flange.

Valves from DN50 have round body and end piece.

Torque

Torque										
DN	15	20	25	32	40	50	65	80	100	
Nm	6	9	11	20	32	38	62	65	117	

Kv-value										
DN	15	20	25	32	40	50	65	80	100	
K _{VS}	36	59	90	159	230	418	725	1098	1768	

AT 3534S Measurements weld ends										
DN	10	15	20	25	32	40	50	65	80	100
D _y	17,2	21,3	26,9	33,7	42,4	48,3	60,3	76,1	88,9	114,3
D _i	12,6	16	20	24,5	32	38	50	65	80	100
Material thickness	2,3	2,55	3,15	3,85	5,2	4,5	4,15	5,55	4,45	7,15

Accessories and Options

Can be provided with different types of actuators and limit switches. (See separate datasheet AT 3830, AT 3831, AT3840, AT3841, AT 3900)

The valve is available with different types of accessories and in different performance as:

Stem extension, Cavity fillers, spring return lever with spring-to-open or spring-to-close function. Fire-safe design, three-way valves, heating jacket, Cryo performance, double gasket box, tank bottom valve, high pressure performance.

Three-piece valves give many variations for connection, for example one weld end and one threaded end. NPT threads and customer related welded ends.

Marking

Manufacturer, DN, PN, material code.

How to order

DN	AT 3533		AT 3534	
	Order No.	RSK-no.	Order No.	RSK-no.
15	3533S15		3534S15	
20	3533S20		3534S20	
25	3533S25		3534S25	
32	3533S32		3534S32	
40	3533S40		3534S40	
50	3533S50		3534S50	
65			3534S65	
80			3534S80	
100			3534S100	