

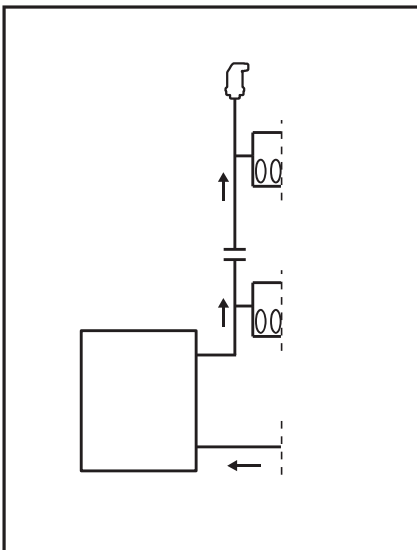
AT8060/8032/8042/8072

Toppavluftare

0- ... bar
0- ... °C

Acc.PED (97/23/EC§3.3)

< 50% glycol



0 bar

max. 2°

Rp $\frac{1}{2}$


0 bar



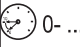
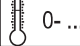
Pmax = 1,5 x ... bar

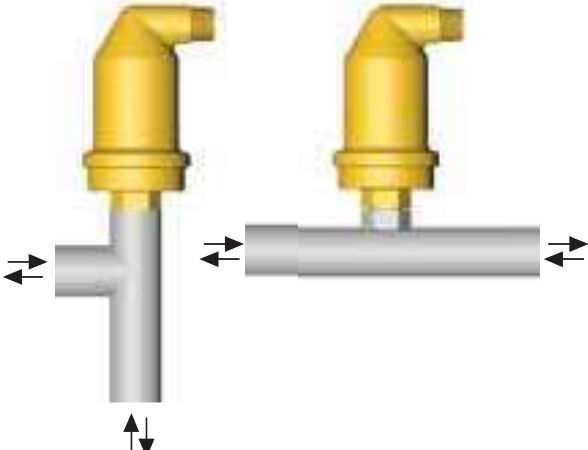
0 bar






AT8060/8032/8042/8072

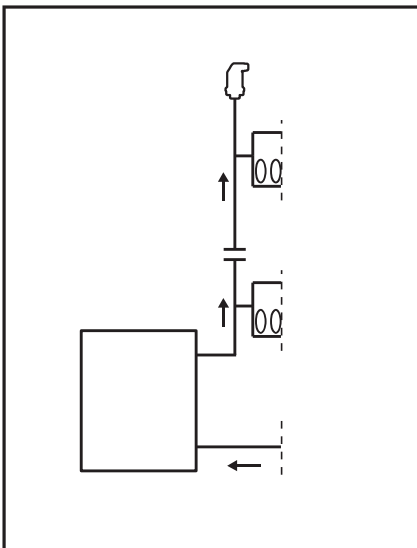
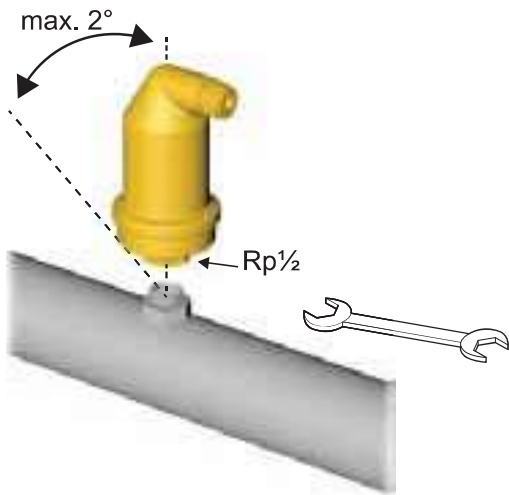
Toppavluftare








 0- ... bar
 0- ... °C
 Acc.PED (97/23/EC§3.3)





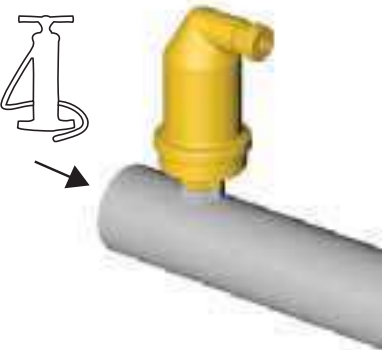



 H₂O

 < 50% glycol





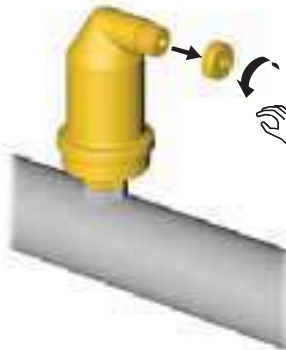
 0 bar


 max. 2°
 Rp $\frac{1}{2}$




 0 bar





 P_{max} = 1,5 x ... bar





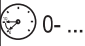
 0 bar

AT8060/8032/8042/8072

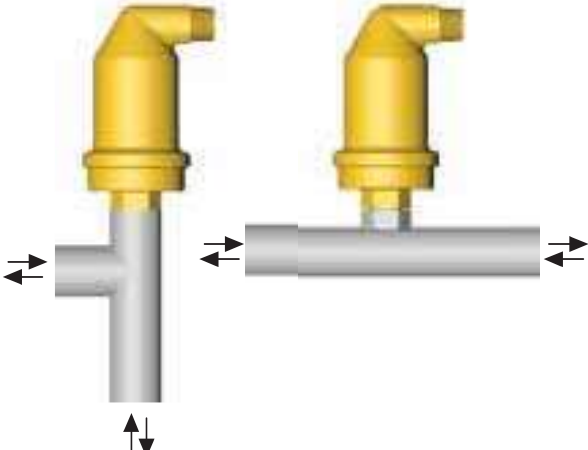
Toppavluftare








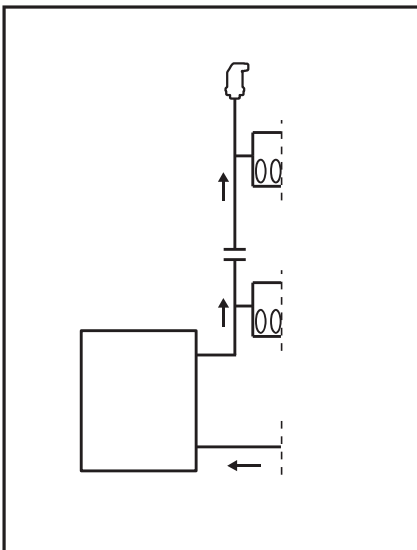
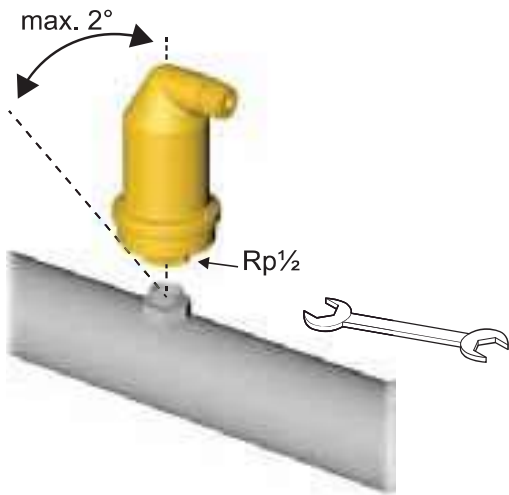
 0- ... bar
 0- ... °C




Acc.PED (97/23/EC§3.3)











< 50% glycol

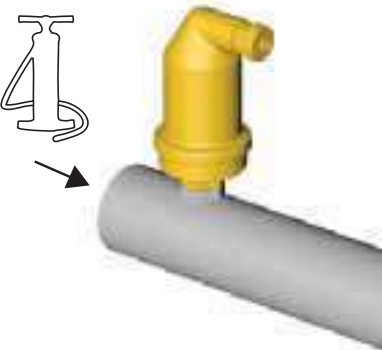




 0 bar



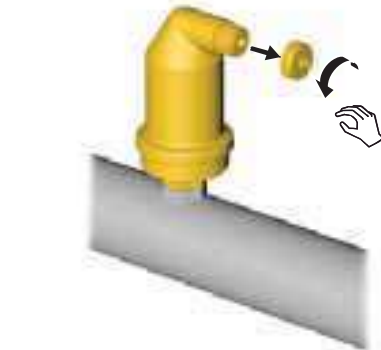
max. 2°
 Rp $\frac{1}{2}$




 0 bar




 Pmax = 1,5 x ... bar



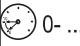


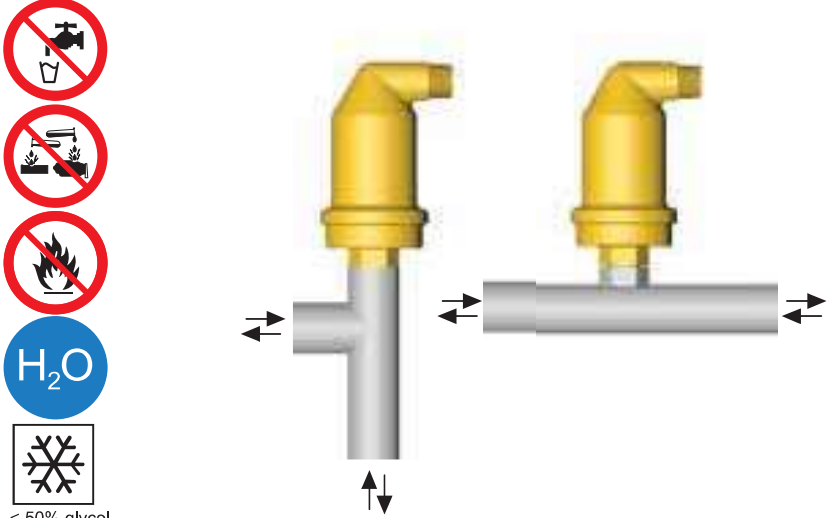
 0 bar






AT8060/8032/8042/8072

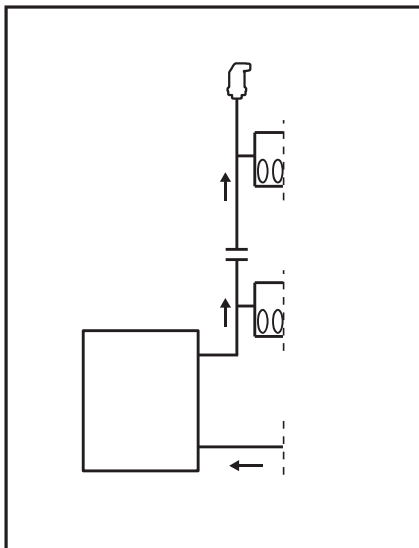
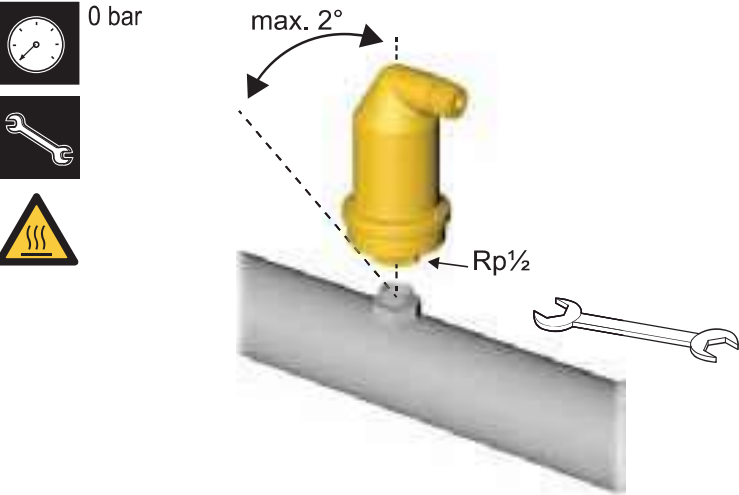
Toppavluftare









 0- ... bar
 0- ... °C
 Acc.PED (97/23/EC§3.3)





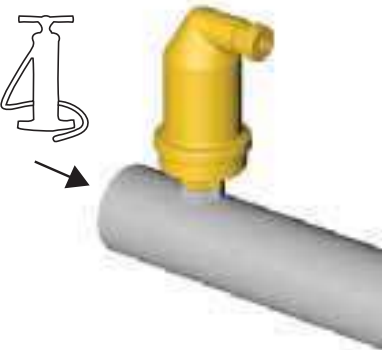



 H₂O

 < 50% glycol






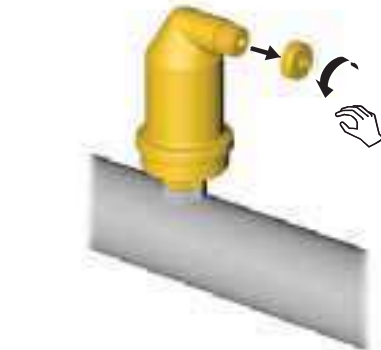
 0 bar


 max. 2°
 Rp½




 0 bar




 Pmax = 1,5 x ... bar




 0 bar

2014/08-05