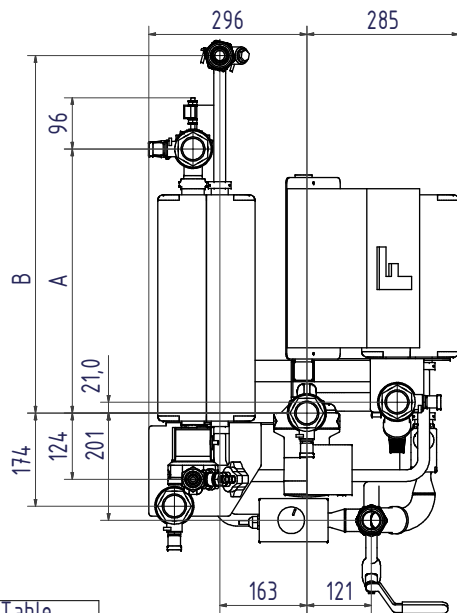
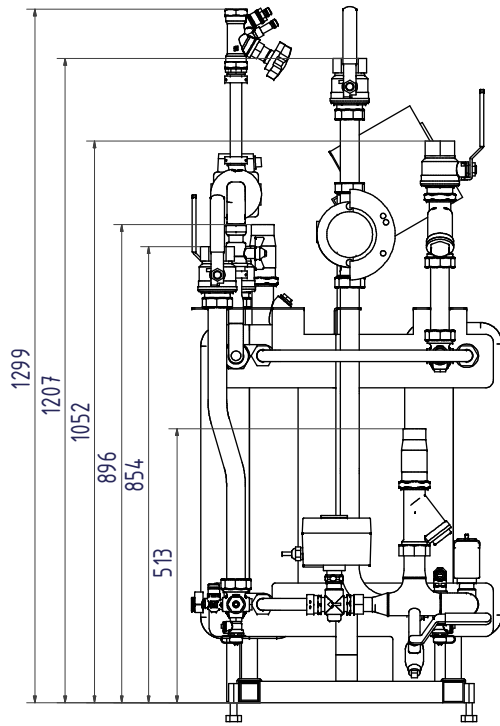
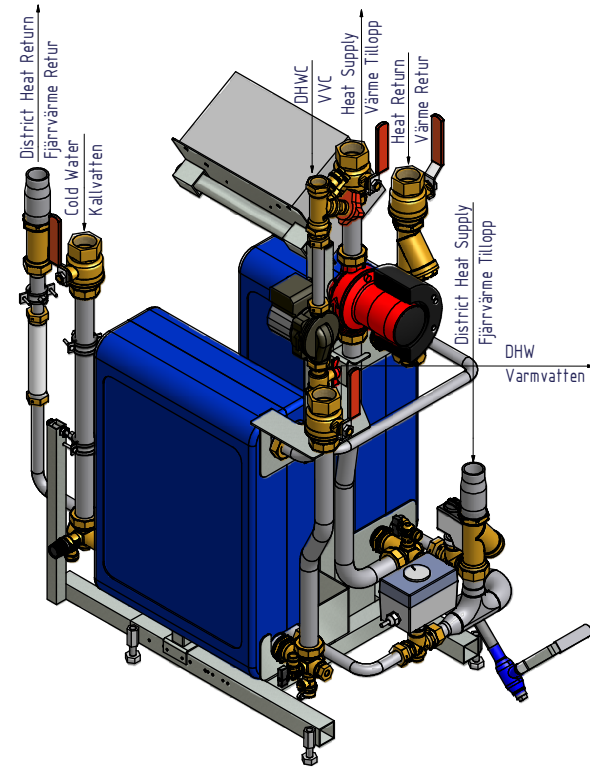


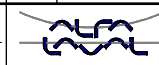
Issue	AD-Nr.	Nr.	Ändringen omfattar	Utgåva	Ändrad av
Date	NO-No.	No.	Revision comprises	Issue	Changed by



Length Table		
Type	A	B
80	222.6	397.6
100/160	241.4	416.4
200	269.6	444.6



Qty	Unit	Article No.	Material	Title
Drawn	SEROMILE	Issue	Scale	R&D HFS
Revised	Yksi/Several surface rough. in Ra	✓	Product	Midi Compact
Material	br/cha / Edges broken		Group	
	Tol. där ej annat angivits		Finishing	
	Intolerances where not stated		Balance	
	Basenhet / Basic size	Tol.	Class/Class A	
ISO	6	±0.1	ISO	
ISO	10	±0.15	ISO	
ISO	15	±0.2	ISO	
ISO	20	±0.3	ISO	
ISO	25	±0.4	ISO	
ISO	30	±0.5	ISO	
ISO	40	±0.6	ISO	
ISO	50	±0.8	ISO	



This drawing is the property of Alfa Laval Lund AB and is not to be distributed outside of the company.