

## DESIGN

Body	Central single flange type
End Connection	EN 1092 PN 6, 10 and 16 ASME B16.5 cl. 150 / B16.47 cl. 150 MSS SP 44 cl. 150 AWWA C207 cl. B, D and E BS 10 table D and E
Face to Face	EN558-1/2 Series 16
Body Seat	Non replaceable Lining bonded to the body
Shaft Seal Design	O-ring bush
Driving Shaft	With indication for position of the disc
Special Design Options	-

## TESTING PROCEDURES

Shell strength test	EN 12266-1, P10 DIN 3230, Part 3 API 598
Shell tightness test	EN 12266-1, P11 API 598
Seat tightness test	EN 12266-1, P12, Rate A ISO 5208, Rate A API 598
Operability test	EN 12266-2, F20 DIN 3230, Part 3 API 598



## OPTIONS

Anti-Static Design	In accordance with EN 736/3 and API 609
--------------------	---

## FUNCTIONAL CHARACTERISTICS

Application	On/off, regulating, control valve
Design pressure PS	Maximum 16 bar
Design temp. TS	-20°C (-4°F) to +200° (392°F)
Flow velocity	Max. 5 m/s for liquids, max. 50 m/s for gases
Seat tightness rate	Bi-directional - ISO 5208 rate A

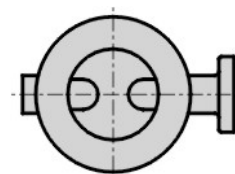
## MARKING & CERTIFICATION

Marking	EN 19, MSS SP 25
Certification	EN 10204 - 2.2, 3.1, 3.2

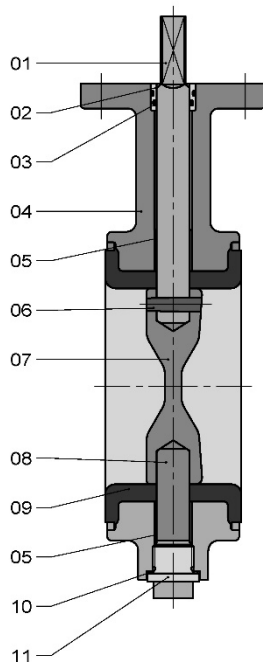
## PRODUCT DATA

General Description	BUTTERFLY VALVE - Centric rubber lined
Design Code	EN 593
Size Range	DN 80 - 800, NPS 3" - 32"
Maximum Pressure	16 bar (optional 25 bar)

## PREFERRED POSITION WHEN INSTALLED IN HORIZONTAL PIPELINE



**PARTS LIST - EVML 80-350 (3"-14")**

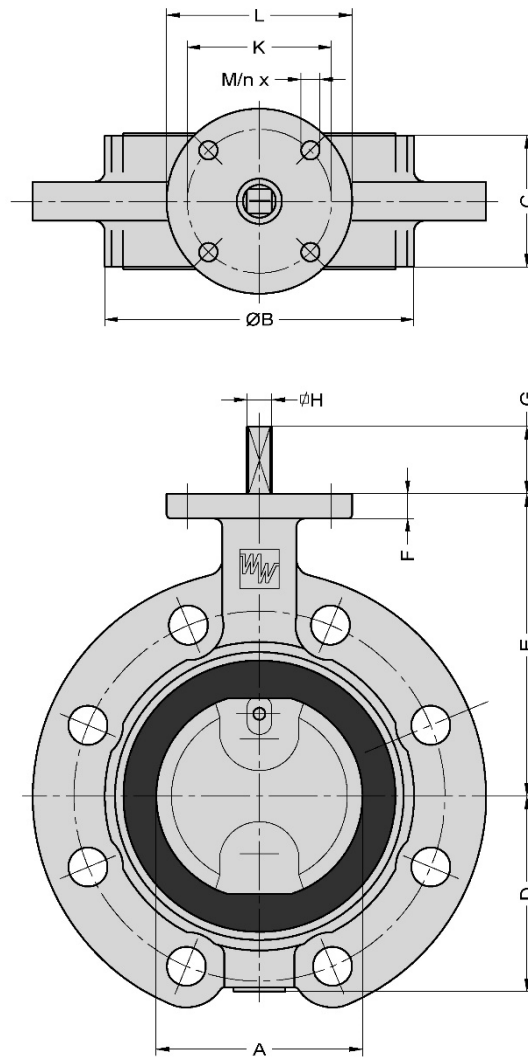


Item	Description	Material <sup>(1)</sup>	EN/DIN	Comparable ASTM
01	Shaft	Duplex SS Martensitic SS Aluminium Bronze Monel K500* Hastelloy-C*	1.4462, EN 10088 1.4057, EN 10088 CuAl10Ni5Fe4, EN/DIN 17665 NA 18, BS 3076 -	A 182, Grade F51 A 276, Grade 431 B 150, C63000 - B 547, N10276
02	Bush	Bronze		
03	O-ring	EPDM NBR FPM		
04	Body	Ductile Iron Ductile Iron (low temp.) Carbon Steel	JS 1030, EN 1563 JS 1049, EN 1563 1.0619, EN 10213	A 395, 60-40-18 - A 216, WCB
05	Bearing	St. / PTFE Lining Bronze / PTFE Lining		
06	Conical pin	See ITEM 01	See ITEM 01	See ITEM 01
07	Disc	Duplex SS Martensitic SS Ductile Iron / Rilsan coated <sup>(2)</sup> Aluminium Bronze Hastelloy-C*	1.4462, EN 10088 1.4057, EN 10088 JS 1030, EN 1563 G-CuAl10Ni, DIN 1714 -	A 182, Grade F51 A 276, Grade 431 A 395, 60-40-18 B 148, C95800 A 494, CW-12MW
08	Shaft	See ITEM 01	See ITEM 01	See ITEM 01
09	Lining	EPDM NBR FPM		
10	Sealing ring	Cu		
11	Plug	St./Zn5C		

<sup>(1)</sup> Other materials on request

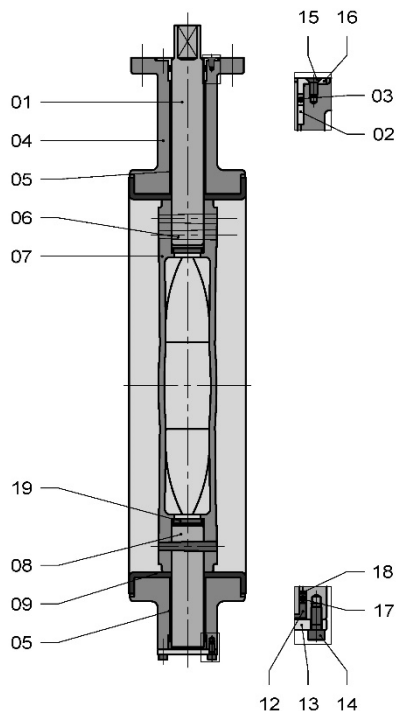
<sup>(2)</sup> For DN 250 and DN 300

**DIMENSIONS - EVML 80-350 (3"-14")**



DN	NPS	A	B	C	D	E	F	G	H	ISO 5211	K	L	M	n	MASS ±kg
80	3"	80	130	64	78	133	12	34	10	F07	70	90	9	4	6.5
100	4"	100	150	64	98	147	12	34	12	F07	70	90	9	4	7.5
125	5"	125	182	70	109	160	12	34	12	F07	70	90	9	4	11
150	6"	150	210	76	133	180	14	34	16	F07	70	90	9	4	14
200	8"	200	262	89	158	204	14	34	16	F07	70	90	9	4	18
250	10"	250	315	114	194	245	15	45	24	F10	102	125	11	4	28
300	12"	300	371	114	219	270	15	45	24	F10	102	125	11	4	39
350	14"	336	405	127	236	315	15	45	24	F10	102	125	11	4	50

**PARTS LIST - EVML 400-1000 (16"-40")**



Item	Description	Material <sup>(1)</sup>	EN/DIN	Comparable ASTM
01	Shaft	Duplex SS Martensitic SS Aluminium Bronze Monel K500* Hastelloy-C*	1.4462, EN 10088 1.4057, EN 10088 CuAl10Ni5Fe4, EN/DIN 17665 NA 18, BS 3076 -	A 182, Grade F51 A 276, Grade 431 B 150, C63000 - B 547, N10276
02	Bush	Bronze	-	-
03	O-ring	EPDM NBR FPM	-	-
04	Body	Ductile Iron Ductile Iron (low temp.) Carbon Steel	JS 1030, EN 1563 JS 1049, EN 1563 1.0619, EN 10213	A 395, 60-40-18 - A 216, WCB
05	Bearing	St. / PTFE Lining Bronze / PTFE Lining	-	-
06	Conical pin	See ITEM 01	See ITEM 01	See ITEM 01
07	Disc	Austenitic SS <sup>(2)</sup> Duplex SS <sup>(3)</sup> Martensitic SS <sup>(4)</sup> Ductile Iron / Rilsan coated Aluminium Bronze Hastelloy-C* <sup>(5)</sup> CuNi <sup>(5)</sup>	1.4408, EN 10213 1.4462, EN 10088 1.4057, EN 10088 JS 1030, EN 1563 G-CuAl10Ni, DIN 1714 - 2.0835, DIN 17658	A 351, CF8M A 182, Grade F51 A 276, Grade 431 A 395, 60-40-18 B 148, C95800 A 494, CW-12MW -
08	Shaft	See ITEM 01	See ITEM 01	See ITEM 01
09	Lining	EPDM NBR FPM	-	-
12	Axial bearing	Bronze	-	-
13	Cover plate	St./Zn5C	-	-
14	Cylinder head screw	St./Zn5C	-	-
15	Counter sunk screw	St./Zn5C	-	-
16	Collar bearing	Bronze	-	-
18	Ring	Bronze	-	-
19	Sealing plate	St./NBR St./FPM	-	-

<sup>(1)</sup> Other materials on request

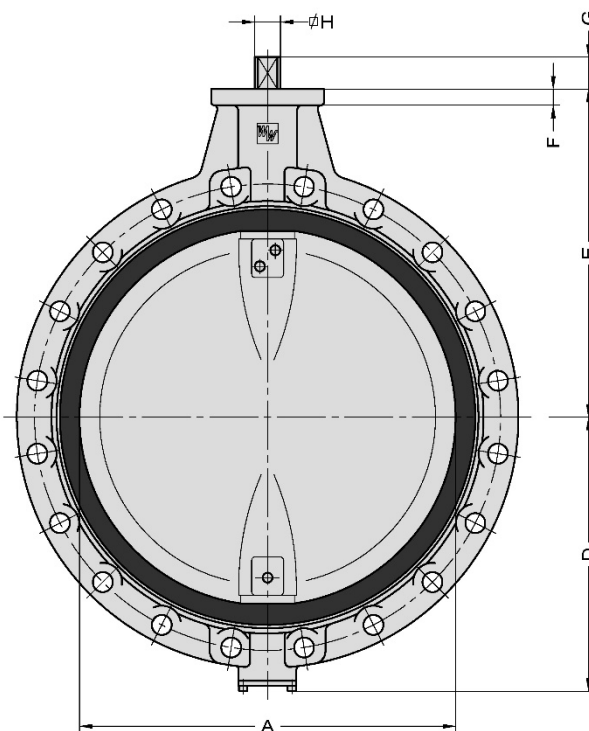
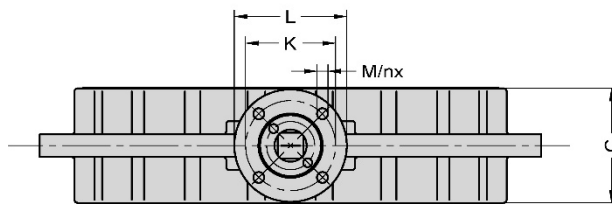
<sup>(2)</sup> for ≥ DN 500

<sup>(3)</sup> forged ≤ DN 450, casted ≥ DN 500, material 1.4517, EN 10213 (ASTM A 351, CD-4MCu)

<sup>(4)</sup> forged ≤ DN 450

<sup>(5)</sup> ≤ DN 500

**DIMENSIONS - EVML 400-1000 (16"-40")**



DN	NPS	A	B	C	D	E	F	G	H	ISO 5211	K	L	M	n	MASS ±kg
400	16"	386	470	140	308	363	25	50	30	F14	140	175	17	4	95
450	18"	436	522	152	334	388	25	50	30	F14	140	175	17	4	115
500	20"	486	576	152	360	413	25	50	30	F14	140	175	17	4	155
600	24"	586	672	178	426	510	25	50	40	F14	140	175	17	4	230
700	28"	686	776	229	499	560	25	60	46	F16	165	210	21	4	330
750	30"	736	826	229	524	585	25	60	46	F16	165	210	21	4	380
800	32"	786	880	241	549	610	25	60	46	F16	165	210	21	4	430