

TABLE	
TAG NO	WEIGHT (Kg)
	250

TABLE				
ITEM	Description	QTY	Make/Model	Material
91	Limit Switch	1		A182 SS316
92	Pneumatic Spring Return Actuator	1		CS
93	Filter Regulator and Lubricator	1		SS316L
94	Relief Valve	1		SS316L
95	1/4" NPT Solenoid Valve w/ Manual Reset Button	1		SS316L
96	1/4" Solenoid Valve	1		SS316L
97	1/4" Flow Control Valve W/O Check Valve	1		SS316L

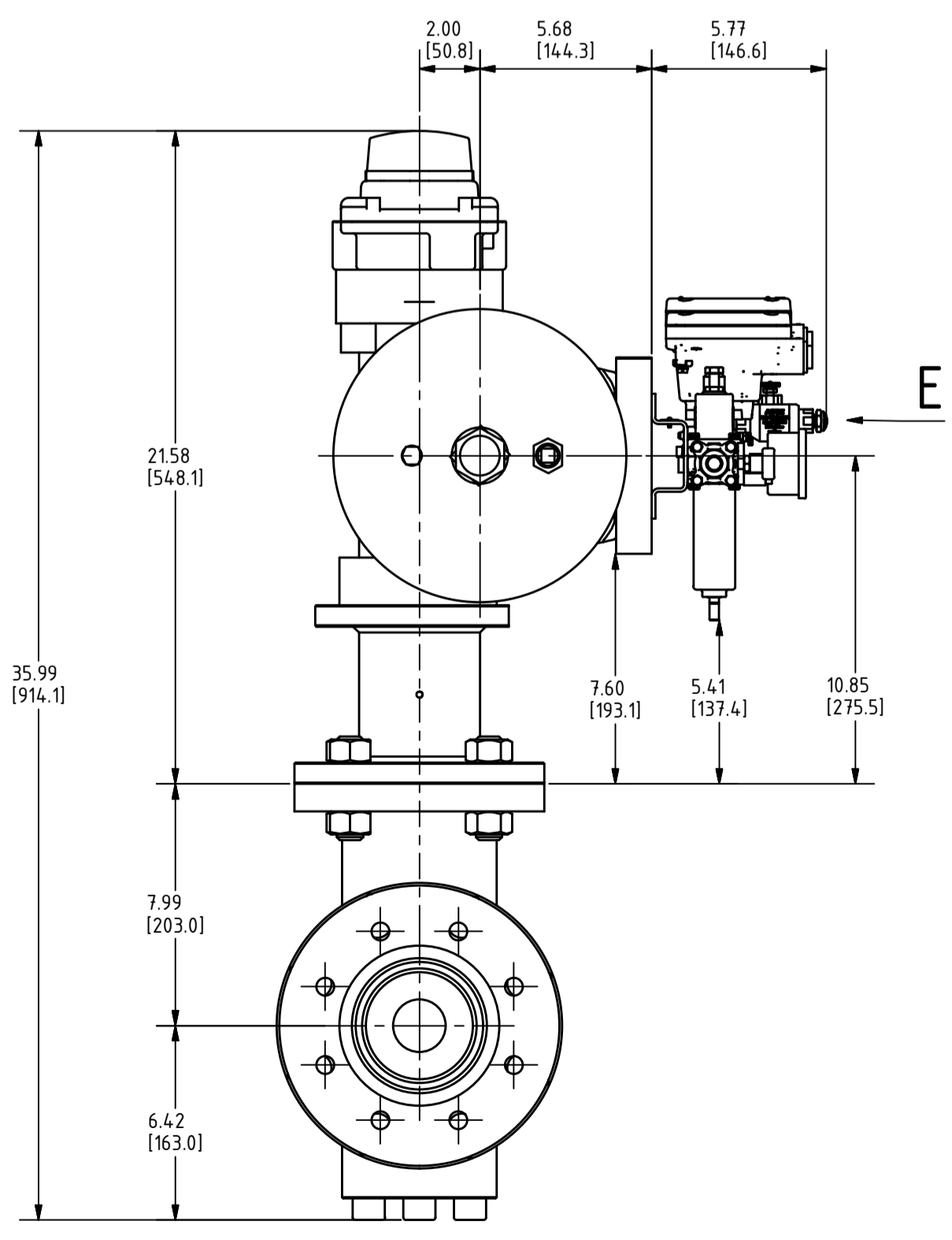
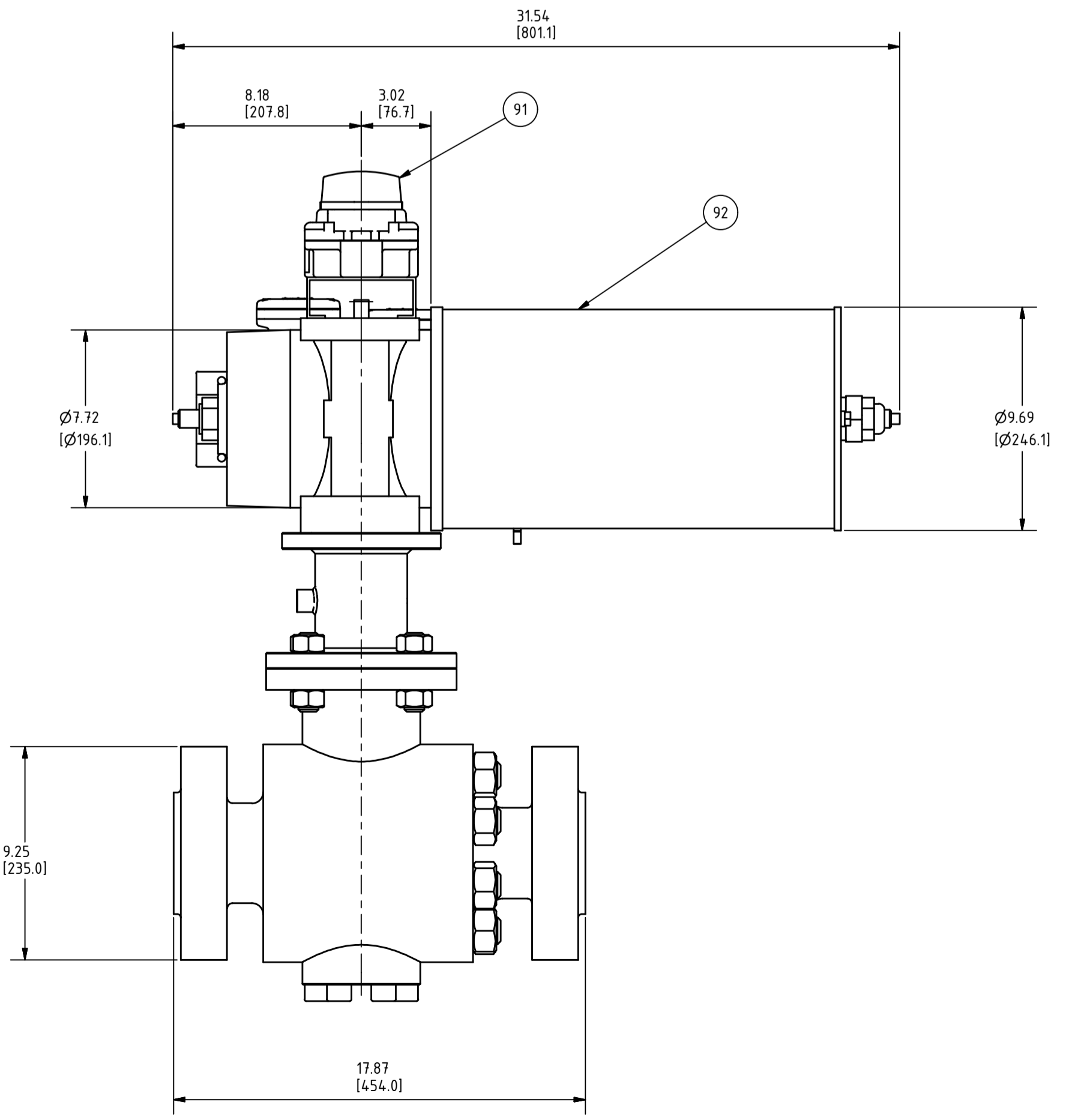
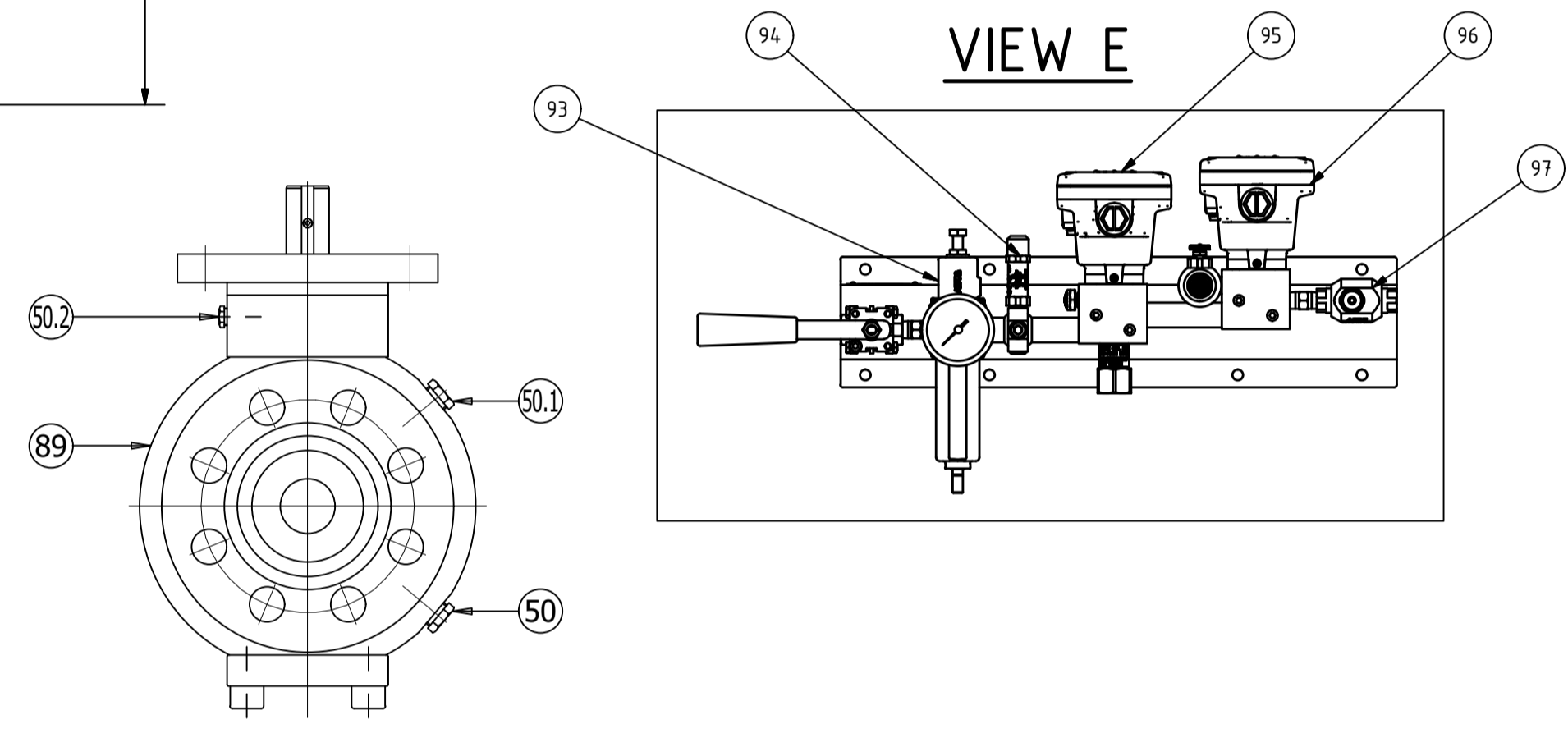
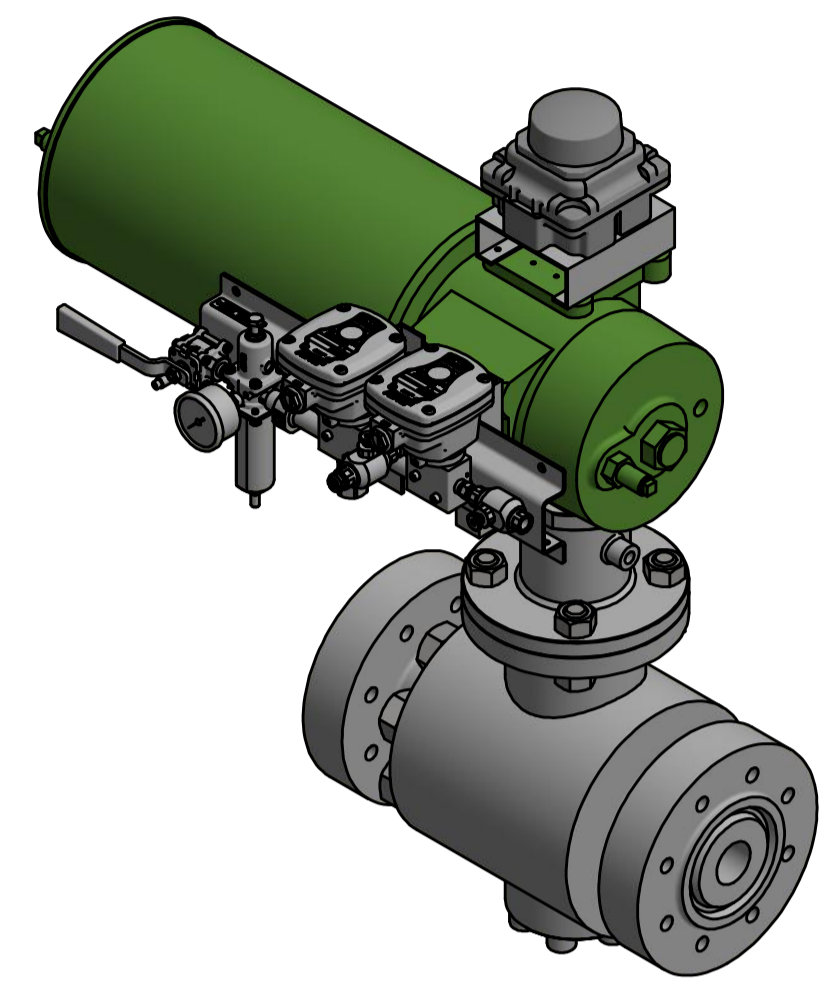
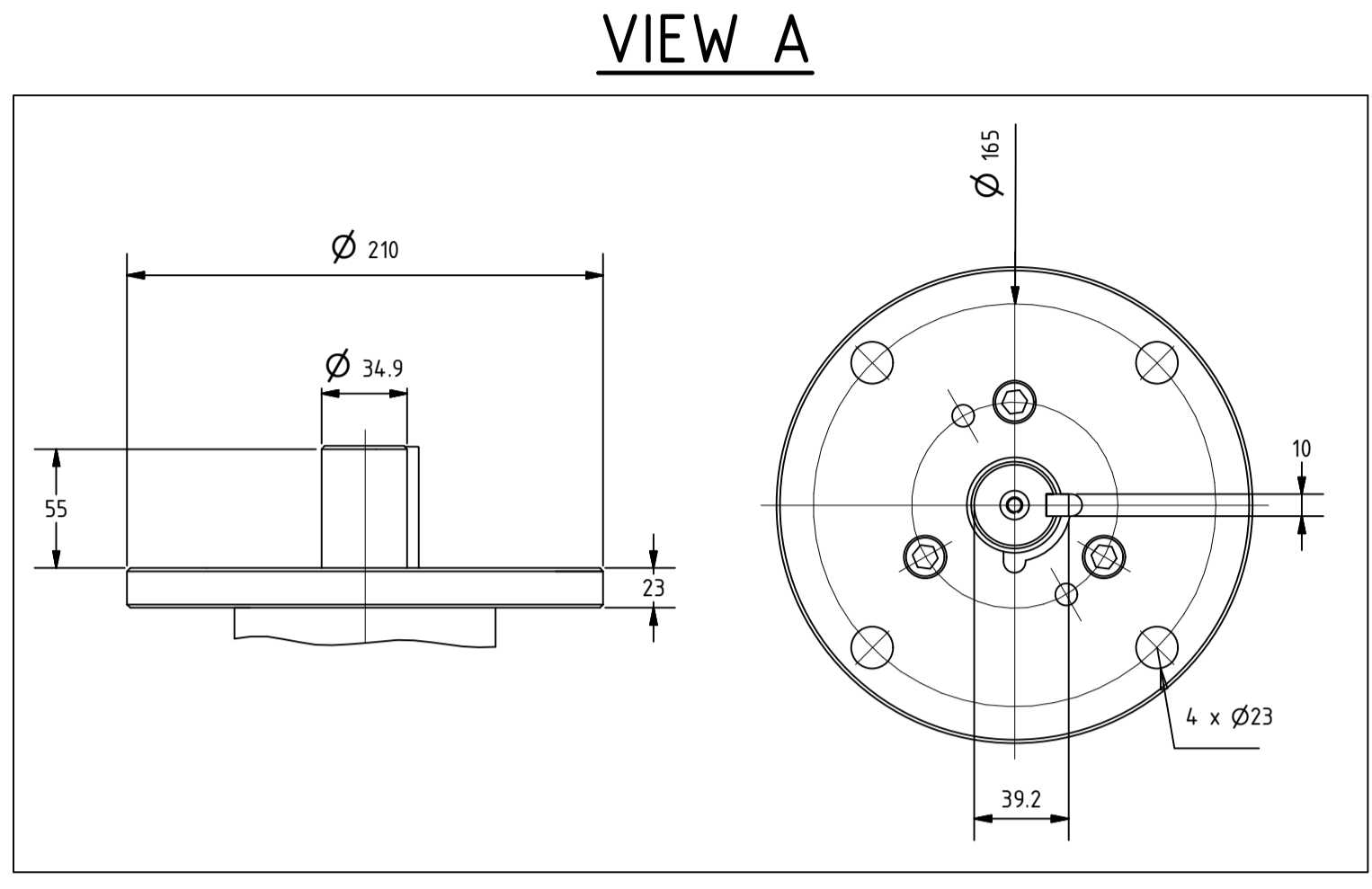
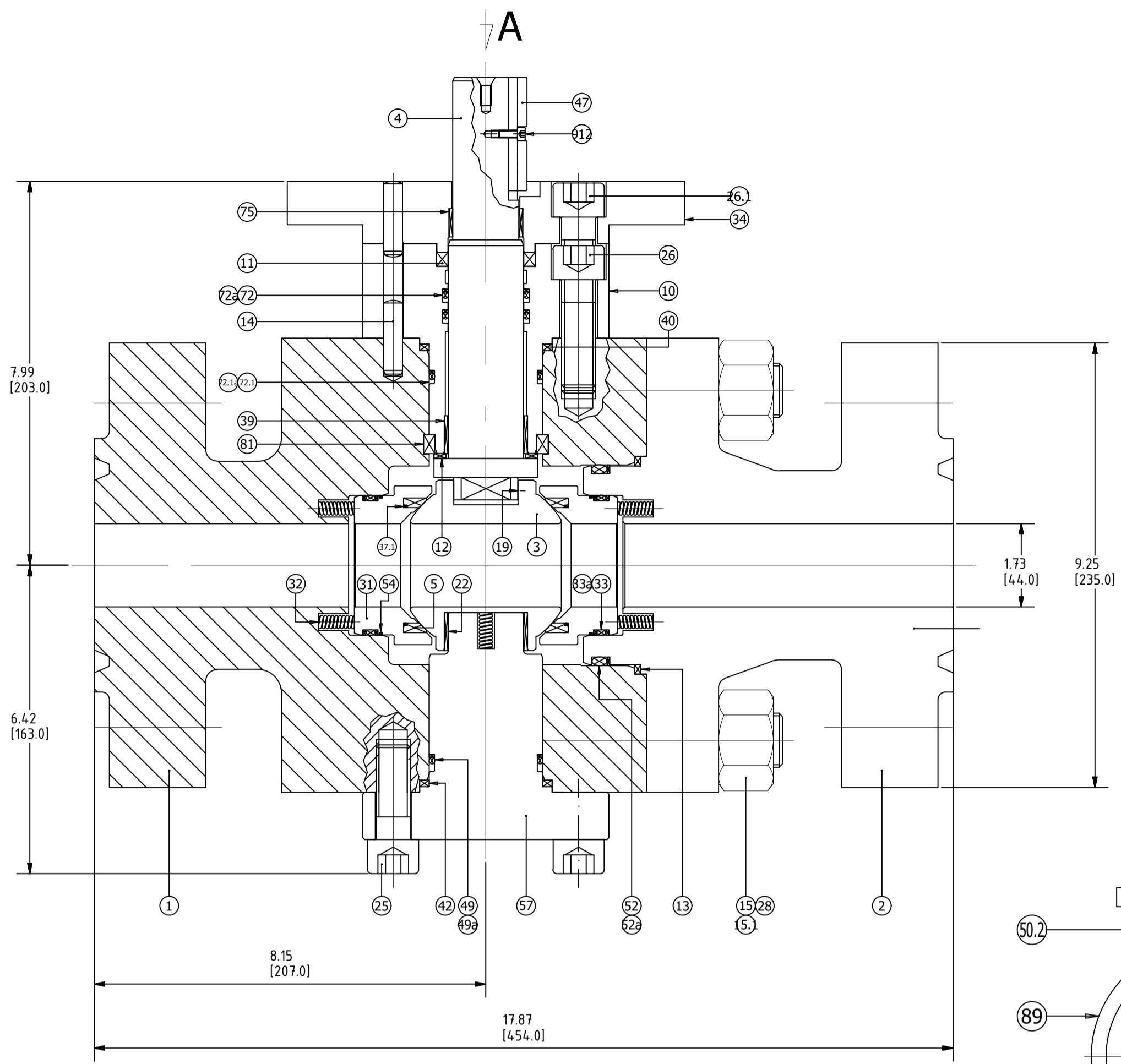


TABLE				
Valve Size (in.)	2	Pressure Class (#)	2500	
Face to Face (mm)	454	Flanges	ASME B16.5 - RTJ	
Design Standard	API 6D	Inspection & Testing	API 598 / API 6D	
Valve Type	JC 2542	Construction	Trunnion Soft Seated	
Valve Bore	Full	Coating	MR0175	
Coating	ISO 12944-C5M	Fire Safe	ISO 10497 / API 607	
Coating	Full	Fire Safe	ISO 10497 / API 607	
ITEM	PART NAME	QTY	MATERIAL	REMARKS
1	BODY	1	A 105N	
2	BODY CONNECTOR	2	A 105N	
3	BALL	1	A 182 Gr. F51	
4	STEM	1	17-4 PH	
5	SEAT RING	2	DEVLON	
10	GLAND	1	A 105N	
11	GLAND PACKING	1	GRAPHITE	
12	STEM THRUST SEAL	1	AISI-316 + PTFE COATED	
13	BODY CONNECTOR SEAL	1	GRAPHITE	
14	STOP PIN	4	CARBON STEEL	
15	STUD	6	A 193 Gr. B7M TRIV. WHITE ZINC ASTM B633 SC2 TYPE V	
15.1	STUD	2	A 193 Gr. B7M TRIV. WHITE ZINC ASTM B633 SC2 TYPE V	
19	ANTISTATIC DEVICE	2	STAINLESS ST.	
22	TRUNNION BEARING	1	AISI-316 WITH INSIDE IN PTFE	
25	BOLT	6	A 193 Gr. B7M TRIV. WHITE ZINC ASTM B633 SC2 TYPE V	
26	BOLT	3	A 193 Gr. B7M TRIV. WHITE ZINC ASTM B633 SC2 TYPE V	
26.1	BOLT	3	A 193 Gr. B7M TRIV. WHITE ZINC ASTM B633 SC2 TYPE V	
28	NUT	8	A 193 Gr. B7M TRIV. WHITE ZINC ASTM B633 SC2 TYPE V	
31	SEAT CARRIER	2	A 182 Gr. F51	
32	SPRING	--	INCONEL X-750	
33	SEAT SEAL	2	FKM Tp. AED	
33a	BACK-UP RING	4	NYLON	
34	UPPER CAP	1	A 105N	
37.1	"O" RING	1	FKM Tp. AED	
39	TRUNNION BEARING	1	AISI-316 WITH INSIDE IN PTFE	
4.0	GASKET	1	GRAPHITE	
4.2	GASKET	1	GRAPHITE	
4.7	KEY	1	STAINLESS ST.	
4.9	"O" RING	1	FKM Tp. AED	
49a	BACK-UP RING	1	NYLON	
50	DRAIN PLUG	1	A 105N	
50.1	VENT PLUG	1	A 105N	
50.2	VENT PLUG	1	A 105N	
52	"O" RING	1	FKM Tp. AED	
52a	BACK-UP RING	1	NYLON	
54	SEAT CARRIER SEAL	2	GRAPHITE	
57	LOWER STEM	1	17-4 PH	
72	"O" RING	2	FKM Tp. AED	
72a	BACK-UP RING	2	NYLON	
72.1	"O" RING	1	FKM Tp. AED	
72.1a	BACK-UP RING	1	NYLON	
75	TRUNNION BEARING	1	AISI-316 WITH INSIDE IN PTFE	
81	ANTIBLOW-OUT RING	1	AISI 316	
89	IDENTIFICATION PLATE	1	STAINLESS ST.	
912	BOLT	1	A2	
	CAP	2	--	

A		ISSUED FOR REVIEW		02/10/18	Siddhant	Siddhant	Nerseh	Paldan
Rev.	Reason for issue	Date	Drawn	Issued	Checked	Approved		
Discipline.	System No.	Area/Module.	IMO no.	Project no.	Scale.	Format/Size.	A3	
Client:				Unit/Field:				
				Subject:				
				General Arrangement Blowdown Valves				
Client doc. no:				Rev.		Sheet		
Client doc. no:				A		1/1		
Ref. doc. no:								

