

**MODEL NUMBER**

TXS-E2CGNMM

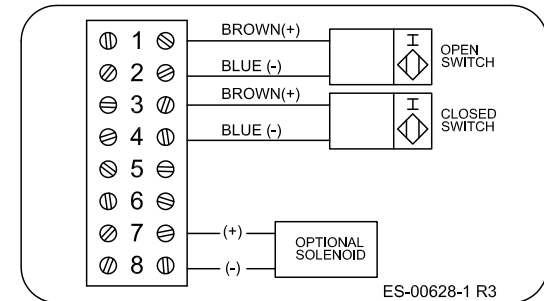
**PRODUCT LINE**

Switchbox TXP and TXS

**SPECIFICATIONS**

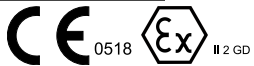
Enclosure	316 Stainless Steel
Bus/Sensor	(2) p+f NJ2+V3-N inductive NAMUR
Area Classification	Flame Proof
Visual Display	Standard 90° Green OPEN, Red CLOSED
Shaft	NAMUR
Conduit Entries	(2) M20
O-Rings	Silicone
Pilot	No pilot option
Spool Valve	No spool valve option
Valve Cv	No valve Cv option
Manual Override	No manual override option
Regional Certification	No regional cert option
N Switch	No N Switch

**WIRING DIAGRAM**



ES-00628-1 R3

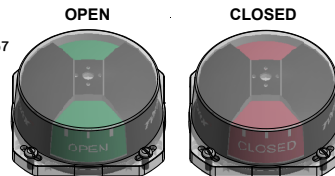
**NAMEPLATE**



Ex db IIC T6/T4 Gb; -65°C ≤ Ta ≤ 40°C/80°C  
 Ex tb IIIC T85°C/T135°C Db; -50°C ≤ Ta ≤ 40°C/80°C; IP66/67  
 Sira 04ATEX1218X IECEx SIR 06.0054X  
 SWITCH: 3mA @ 8VDC NAMUR Output

TopWorx  
 3300 Fern Valley Road  
 Louisville, KY 40213 USA  
 www.topworx.com

Model #:  
 Serial #:



Current as of March 2, 2018 – Subject to change without notice.

**TOPWORX**  
 3300 Fern Valley Road  
 Louisville, KY 40213

(502)969-8000 PH  
 (502)969-5911 FAX  
 www.topworx.com