

# Backflow preventer

Type AB - fluid category 5

Article number	R S K	Ener gy class	Appl icati on	Performance	Fluid catego ry	Connec tion type	Mate rial
This row is for filter (IFB)/header codes (R):							
			F	F	F	F	F
	5						
	0						
	2						
	1						
	1			Complete			Poly
	3			protection		Threa	pro-
1162C	9			module	5	d	pyl- ene

## Main facts

Dimensions range	PN	Temperature range	Material
13 liters	6	5 °C to 35 °C	Polypropylene

## Range of Application

To protect drinking water internally and externally against siphon and over pressure overload backflow for liquids up to category 5. The backflow preventer is of type AB in accordance with EN 1717.

Fulfills the requirements for connecting tap water to:

Clean flushing in sewage plants, agriculture, flushing and cleaning of sanitary equipment for hospitals or other applications where air gap is required.

## PSG.261 Backflow preventer with air gap

Backflow preventer AT 1162C, protection module type AB with air gap for prevention coverage of fluid category 5 according to SS-EN 1717. Performance with tank in polypropylene, volume 13 liters. Centrifugal pump with flow up to 4,0 m<sup>3</sup>/h, pressure up to 4,3 bar.



AT 1162C

## Quality Assurance

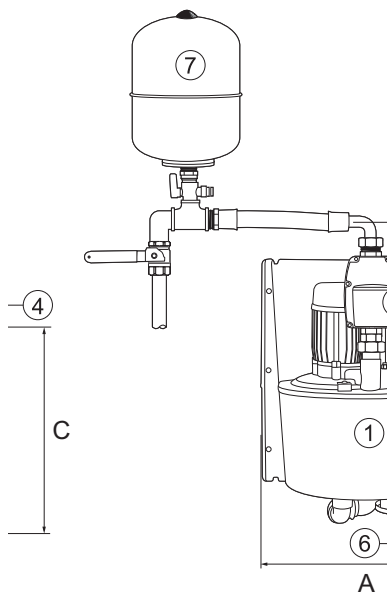
Backflow preventer is in performance according to DIN 1988-500. Meets the demands from Boverket's building regulations BBR, installations of tap water. In accordance with SS-EN 1717 as protection module type AB for fluid category 5. Unit is CE-marked.

## Material Specification

1	Buffer tank
2	Centrifugal Pump
3	Regulator
4	Inlet
5	Outlet
6	Overflow outlet
7	Pressure balancing vessel

# Backflow preventer

Type AB - fluid category 5

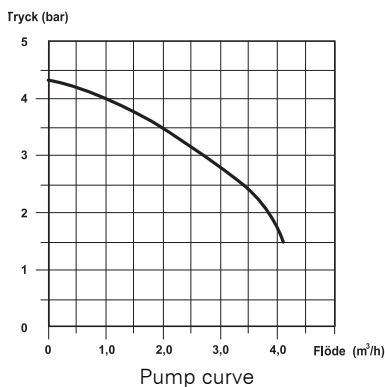


## Dimension and Weight

	AT 1162C
A	410 mm
B	168 mm
C	425 mm
D	56 mm
E	569 mm
Tank volume	13 liters
Dry weight	22 kg

## Function and Design

Backflow preventer type AB covers the risks up to fluid category 5 for connection of tap water. I.E. "Fluid that entails a health risk through presence of micro organisms or virus". The air gap in the module follows the demands set as a standard. The protection module consists of a pump with regulator and an integrated buffer tank. The unit is provided with a width drain



## Technical Information

	AT 1162C
Connection inlet/outlet	G 1
Connection overflow drain	DN 70
Fluid temperature	5°C to 35°C
Surrounding temperature	5°C to 40°C
Max allowed humidity	50%
Max allowed pressure incoming water	6,0 bar
Minimum allowed pressure incoming water	1,0 bar
<b>Self sucking multi step centrifugal pump</b>	
Maximum flow	4,0 m <sup>3</sup> /h
Minimum flow	4,3 bar
Marking effect	0,8 kW
Main frequency	50 Hz
Marking voltage	230V AC ±10%
Nominal current	3,7 A
Protection class	IP 44
Sound level	55 dB(A)

Rätten till ändringar utan föregående meddelande förbehålls.  
Armatec ansvarar inte för eventuella tryckfel eller missförstånd.  
Dokumentet får kopieras endast i sin helhet.

# Backflow preventer

Type AB - fluid category 5

## Marking

Information regarding manufacturing year, manufacturing number, model, electronic data, IP-class and pressure/flow is shown on the units marking sign. CE-marked.

## Maintenance and Spare parts

The unit should be maintained according to the manufacturer's regulations. For more information see the instruction manual.

## Marking

Information regarding manufacturing year, manufacturing number, model, electronic data, IP-class and pressure/flow is shown on the units marking sign. CE-marked.

## How to order

AT-no	RSK-no	Performance
1162C	5021139	13 liters tank. Max pump flow 4,0 m <sup>3</sup> /h.