

# Globe valve

AT 1040C

<b>Dimension range</b> DN 15-250	<b>PN</b> 40	<b>Temperature range</b> -10 °C to 400 °C	<b>Material</b> Steel
-------------------------------------	-----------------	--	--------------------------

## Range of application

A shut-off valve for:

- Steam
- Hot water
- Condensate

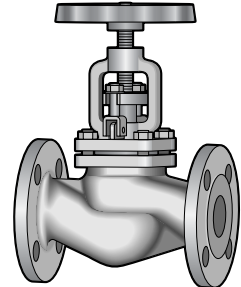
## Quality assurance

Pressurized parts are manufactured in a foundry, which is generally approved by all recognized classification authorities.

Certificate SS-EN10204, type 2.2 and 3.1, as well as by most classification authorities (type of certificate is to be stated upon ordering). Testing carried out in accordance with DIN EN 12266.

## CE-marking

The valves meet the requirements in AFS 2016:1 and 2014/68/EU (Pressure Equipment Directive).



AT 1040C

## Material specification

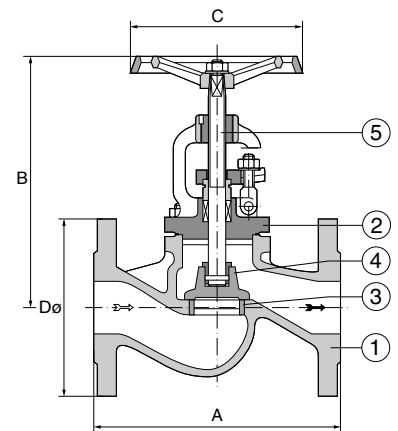
Pos	Component	Material
1	Body	Steel 1.0619
2	Bonnet	Steel 1.0619
3	Seat	Stainless steel 1.4021*
4	Globe	Stainless steel 1.4021*
5	Spindle	Stainless steel 1.4021*

\*At temperatures higher than 350 C, Stellite is recommended

## Dimensions and weight

DN	15	20	25	32	40	50	65	80	100	125	150	200	250
<b>A</b>	130	150	160	180	200	230	290	310	350	400	480	600	730
<b>B</b>	185	185	210	210	235	240	290	305	370	400	470	570	625
<b>C</b>	120	120	140	140	160	160	180	200	225	225	300	400	400
<b>D</b>	95	105	115	140	150	165	185	200	235	270	300	375	450
<b>Weight</b>	3,9	4,6	6,3	7,5	10,5	14	21,5	26	51	63,5	105	175	323

Dimension in mm, weight in kg



## Function and design

Rising, male thread stem. Plane sealing areas.

The stuffing box is not pressurized when the valve is in fully open position.

## Technical information

### Pressure and temperature

According to DIN EN 1092, with the following maximum values:

Working pressure max. bar	Working temperature max. °C
35	200
28	300
21	400

## Pressure Drop

To calculate the pressure drop, the following values are used:

DN	15	20	25	32	40	50	65	80	100	125	150	200	250
K <sub>vs</sub>	4,2	7,4	12	19	31	47	77	120	188	288	410	725	1145

## Max. differential pressure

DN	125	150	200	250
Differential pressure	25	17	10	6

## Accessories and options

Flange with groove. Also available in PN 16. DN125 to DN250 are available with a pressure released globe. In that case the earlier mentioned limitation of differential pressure does not apply.

## Installation

### Connections

Fig.No	DN	Flanges acc. to	Weld ends acc.to
AT 1040C	15 - 250	SS 335-PN 40	DIN 3239 Form D

- Can be mounted in any position except with handwheel pointing downwards.
  - The system has to be flushed clean before startup.
  - Valves DN15-100 have a flow direction from bottom to top.
  - Valves DN125-150 have a reversed flow direction (eg from top to bottom).
- However the flow direction is always marked by an arrow on the body.

## Maintenance and spare parts

If necessary the stuffing box must be retightened.

## Marking

Manufacturer, DN, PN, material and flow arrow.

## How to order

Example: AT 1040C50		
AT 1040C	50	
Fig. nr.	DN	
RSK-number, see the RSK-register		